

Installation Instructions

230 V Line Voltage Power Base

1 Guidelines

Turn off power to the heating system at the main power panel to avoid electrical shock. Installation should be carried out by an electrician.

- ▶ All work must conform to the applicable country standards for electrical installations and wiring.
- ▶ This thermostat should be connected on a circuit equipped with a fuse or a circuit breaker. It must be installed on a certified electrical box.
- ▶ For a new installation, choose a location about 1.5 m above the floor.
- ▶ For electric baseboards, convectors and fan-forced heaters, the thermostat must be installed facing the heating system.
- ▶ The thermostat must be installed on an inside wall.
- ▶ Avoid locations where there are air drafts (top of staircase, air outlet), dead air spots (behind a door), direct sunlight or concealed chimneys or stove pipes.

2 Technical Specifications

Supply: 230 VAC, 50 Hz

Load: 15 A maximum (resistive only)

Power: 3450 Watts (NI) @ 230 VAC

Conformity: EN60730-1

Storage: -20°C to 50°C

Protection: Class 2

Protection degree: IP21

Automatic action: Type 1.B

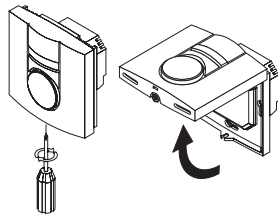
Environment: Normally polluted

Size (H/W/D): 75 x 75 x 14 mm

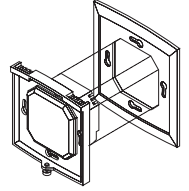
NOTE: The terminals are designed to handle a cross-section of wire measuring 0.33 to 3.1 mm².

3 Procedure

- 1 Remove the screw holding the control module to the power base and lift the lower part upwards. The screw cannot be completely removed.

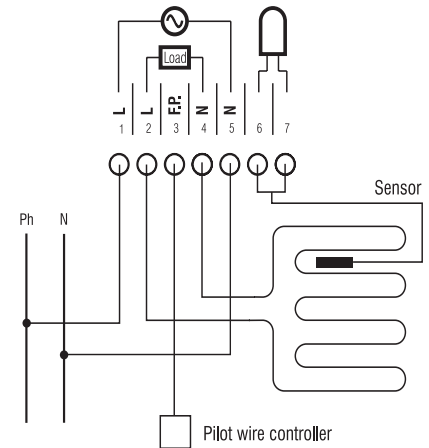


- 2 Before making the connections, make sure that the base covers the electrical box entirely. If not, install the supplied wall plate at the back of the base as shown.



- 3 Connect the wires:

- **Power:** Terminals 1 & 5
- **Load:** Terminals 2 & 4 see note 1
- **Pilot Wire:** Terminal 3 see note 2
- **Floor sensor:** Terminals 6 & 7 (no polarity) see note 3

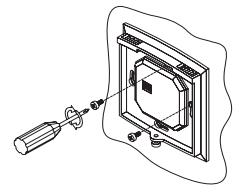


Note 1 If a contactor is used between the thermostat and the load, install a snubber at the contactor's coil terminal to ensure the proper operation of the thermostat.

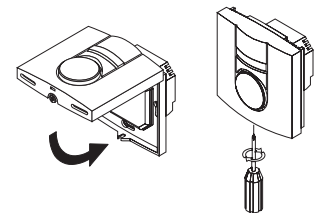
Note 2 This connection is required on some models only.

Note 3 For the proper operation of the thermostat, the floor sensor must be centered between two heater wires having a maximum temperature of 80°C. The floor sensor wire must not cross any heater wire or be placed close to it.

- 5 Push wires into the electrical box and secure the base to the electrical box anchorage. The head of the screw must be less than 2 mm thick.



- 6 Set the configuration switches on the control module (refer to the user guide).



- 7 Return power to the heating system.